

LFC-200

Bio-Digester



Reduce Carbon Footprint

Safely digests 200–360 kg (440–800 lbs) of waste food per day

Add waste food anytime

Quickly digests waste food with no odor or noise

Payback 6–24 months

Three years warranty



The LFC-200 is a fully enclosed automatic bio-digester that safely disposes of 200–360 kg (440–800 lbs) of waste food each 24 hours with no noise or odor. Once installed, you can add waste at any time without needing to empty byproducts. The LFC discharges only decomposed food as grey water that is environmentally safe.

With our proprietary mixture of microbes and enzymes, the LFC uses a series of processes in which microorganisms break down biodegradable material in the presence of oxygen. The LFC maintains equilibrium for the microorganisms by injecting water periodically; this rapidly

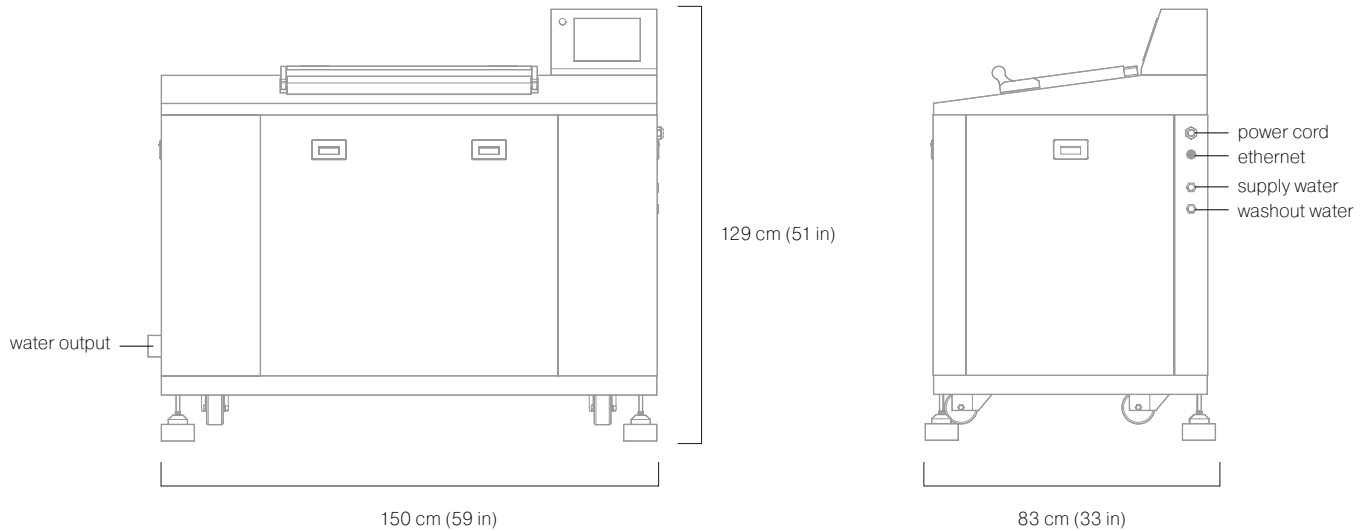
decomposes the waste food and flushes decomposed material out of the LFC.

Every 20 minutes, the LFC rotates an arm inside to slowly mix new waste food, old waste food, oxygen, water, and microorganisms to enhance the decomposition.

The LFC is a practical alternative to the traditional disposal of waste food. Anything you can eat, including fruits, vegetables, meat, fish, cheese, bread, rice, and noodles can go into the LFC.

LFC-200

Technical Specifications



Capacity per Day

200–360 kg (440–800 lbs)

Construction

All stainless steel (chassis, side panels, drum, shaft, arms, paddle, and load cells)

Dimensions

150 x 83 x 129 cm (59 x 33 x 51 in)

Weight when Empty

350 kg (770 lbs)

Water Inlet

½" female (DN15), 250 to 700 kPa (36 to 100 psi, 2.5 to 7 kg/cm²)

Water per Day

530 litres (140 gallons) typical

AC Supply

208 V, 60 Hz or 400 V, 50 Hz
15 A, 3-phase

Maximum Power

1.1 kW

Energy per Day

6.2 kWh typical

Weighing Accuracy

±1%

User Interface

22 mm 3-color LED
4" touchscreen with 65k colors

Ethernet

RJ45, 100 baseT, DHCP
or fixed IP address

Operating Environment

Indoors or covered patio

Operating Temperature

4°C to 35°C (39°F to 95°F)

Ingress Protection

IP54 – splash proof and dust proof

Powerzyme

2 litre, included with initial purchase

Powerchips

200 litre, included with initial purchase

Operating Lifetime

Expected to be 15 to 25 years

Warranty

3 years on all parts and components

Safety

Certified to UL430
(waste disposal machines)
CAN/CSA-C22.2 No. 60335-1:11
EN 60335-1:2010+AMD1:2013
(general safety)
CAN/CSA-C22.2 No. 60335-2-16:16
EN 60335-2-16:2002+A1:2008+A2:2011
(waste food disposers)

EMC

EN 61000-6-3:2007+A1:2011
EN 61000-6-1:2007
EN 61000-3-2:2006+A1:2008+A2:2009
EN 61000-3-3:2013

RoHS

Compliant for EU and China



Power Knot LLC | 2290 Ringwood Avenue | San Jose, CA 95131 USA | +1-408-889-8433 | info@powerknot.com | www.powerknot.com

Power Knot, the Power Knot logo, the Power Knot mark, LFC, and LFC Cloud are trademarks or registered trademarks of Power Knot LLC. All other trademarks used herein are the property of their respective owners. Copyright © 2009–2017 Power Knot LLC; all rights are reserved. Specifications are subject to change at any time without notice. Document number 96-01037-02, 8 March 2017.